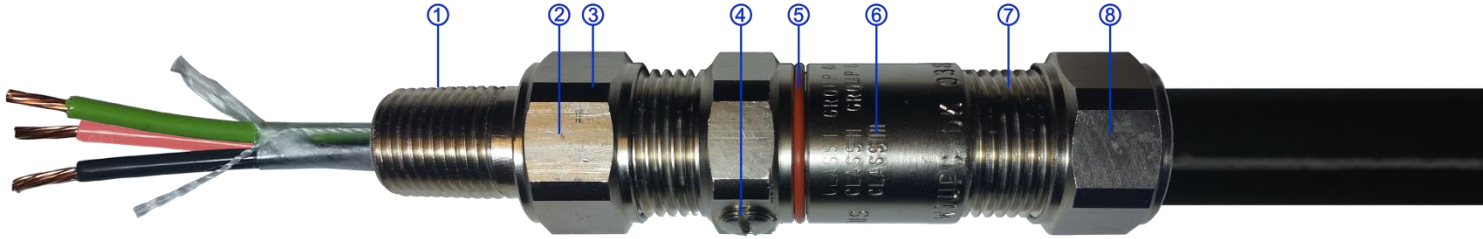


DekaFlex® Connectors

DEKAFLEX® MC & MC-HL CONNECTORS



APPLICATIONS

DekaFlex® Connectors are intended for demanding industrial metal clad cable applications. They are specifically designed to interface with DekaFlex® stainless steel armored cables, providing protection against water spray, dust, corrosive elements, vibration, cold climates, and other harsh environments. Supplied in a nickel-plated brass material, they will provide a long service life in the toughest applications. To serve different installation needs, connectors are provided in both non-hazardous and hazardous location varieties.

CONSTRUCTION FEATURES

① Hub:

Provided in standard NPT trade sizes for water-tight and hazardous location applications.

② Labyrinth Seal: [NOT VISIBLE]

Provides a flame path during emergency situations.

③ Hex Nuts:

Allows for quick and easy installation with simple hand tools, even in the harshest climates.

④ Pouring Chamber Inspection Port:

Provides the ability to inspect conductors before adding sealant. Also allows for the use of a mess-free, self-mixing gas-blocking sealant applicator to easily add sealant through the port.

⑤ Identification Ring:

A red o-ring is added to easily identify the connector's suitability for use in hazardous locations.

⑥ Material:

Long-life nickel-plated brass for strength and corrosion resistance.

⑦ Internal Scroll: [NOT VISIBLE]

Specifically designed to mate with DekaFlex® stainless steel armor, the scroll provides superior pull out resistance, especially in flexible applications, while also providing for a quick and easy installation.

⑧ Grommet: [NOT VISIBLE]

An elastomeric grommet provides a complete seal between the connector and the cable's outer jacket.

APPROVALS & RATINGS

Design Standards:

- UL 514B
- UL 2225

Hazardous Locations Ratings:

- NEC Class I, Divisions 1 & 2, Groups A, B, C, & D
- NEC Class II, Division 2, Groups E, F, & G
- NEC Class III
- IEC Zone 0 & Zone 20

Other Standards, Ratings, & Markings:

- UL Files E107930 & E150924
- NEC 505.9(C)(1)
- NEMA 4, 7, & 9
- IP56



BENEFITS

- The *only* connector certified for use with DekaFlex®.
- Can be inspected without removal from the electrical box or enclosure.
- Conductors can be tested prior to sealing.
- 3x faster installation than standard connectors.
- No mess to clean up. Gun and done.
- Minimized waste and increased value with resealable gas-blocking sealant packaging.
- Cable flexibility and connector design allows easy removal from hub for convenient maintenance.
- Damming fiber provided to prevent sealant from entering electrical box or enclosure.
- -50°C gas-blocking sealant temperature rating.
- Dual inspection ports and convenient applicator allow for sealant installation with connector in nearly any orientation.

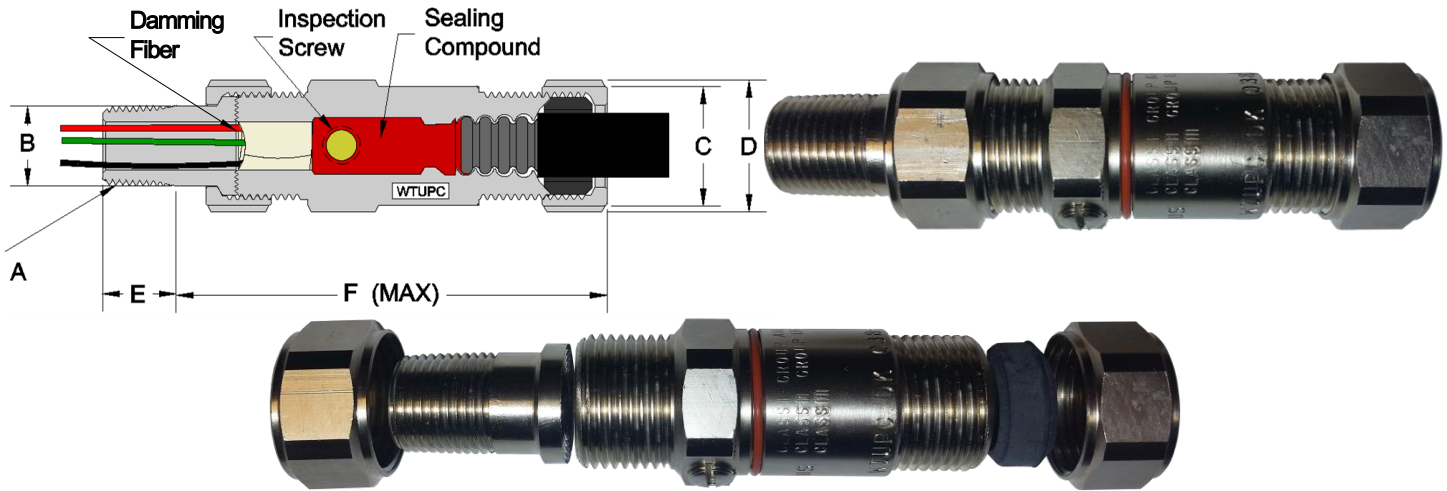
DekaFlex®
CONNECTORS

Manufactured Exclusively By

American Connectors

For Dekorón Wire & Cable, LLC

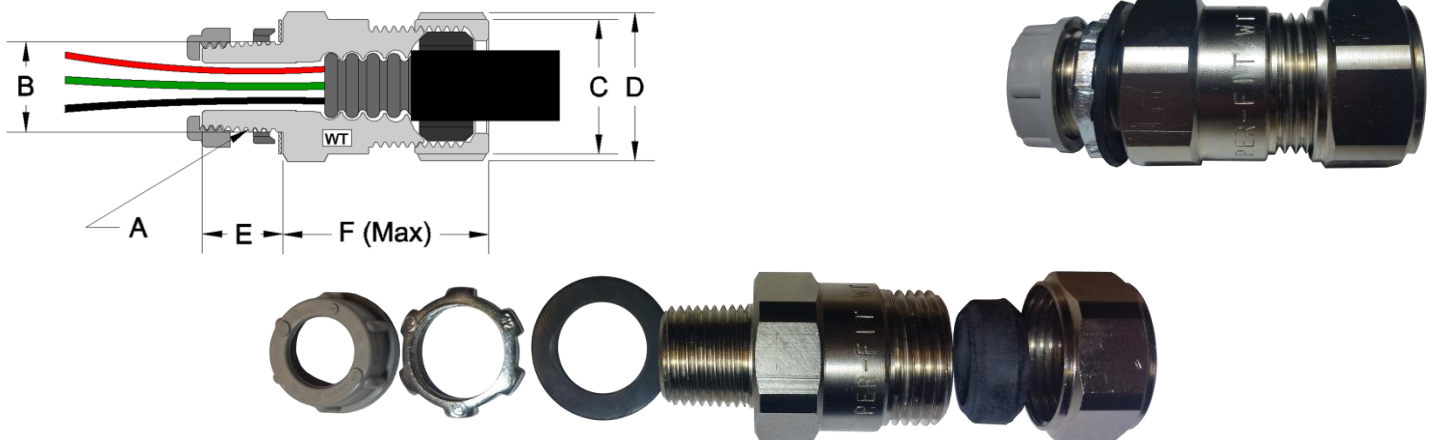
WATER-TIGHT UNION POURING CHAMBER CONNECTOR - MC-HL



CONNECTOR ATTRIBUTES

Connector Part Number	Connector Reference Size	Armor ID [in]	Armor OD [in]	Jacketed Cable OD [in]	A	B	C	D	E	F	E + F	Weight [lbs]
					NPT Trade Size [in]	NPT Thread OD [in]	Hex Across Flats [in]	Hex Across Corners [in]	NPT Thread Length [in]	Body Length (Max) [in]	Assy. Length [in]	
WTUPC DK 038-050 NB	#6	0.38	0.610	0.710	1/2	0.84	1.25	1.44	0.78	4.67	5.45	1.22
WTUPC DK 050-075 NB	#8	0.50	0.775	0.855	3/4	1.05	1.50	1.73	0.78	4.88	5.66	1.58
WTUPC DK 075-100 NB	#12	0.75	1.045	1.145	1	1.32	2.00	2.31	0.99	5.55	6.54	3.19
WTUPC DK 100-125 NB	#16	1.00	1.340	1.440	1-1/4	1.66	2.13	2.45	1.01	5.75	6.76	3.72

WATER-TIGHT CONNECTOR - MC



CONNECTOR ATTRIBUTES

Connector Part Number	Connector Reference Size	Armor ID [in]	Armor OD [in]	Jacketed Cable OD [in]	A	B	C	D	E	F	E + F	Weight [lbs]
					NPT Trade Size [in]	NPT Thread OD [in]	Hex Across Flats [in]	Hex Across Corners [in]	NPT Thread Length [in]	Body Length (Max) [in]	Assy. Length [in]	
WT DK 038-050 NB	#6	0.38	0.610	0.710	1/2	0.84	1.25	1.44	0.78	1.82	2.60	0.58
WT DK 050-075 NB	#8	0.50	0.775	0.855	3/4	1.05	1.50	1.73	0.78	1.92	2.70	0.71
WT DK 075-100 NB	#12	0.75	1.045	1.145	1	1.32	2.00	2.31	0.99	2.32	3.31	1.56
WT DK 100-125 NB	#16	1.00	1.340	1.440	1 - 1/4	1.66	2.13	2.45	1.01	2.39	3.40	1.80

Specifications Subject to Change without Notice. Contact Your Dekoron Sales Representative for More Information.